

1. Technical description.

The fuse module is intended for dividing power in low-voltage alarm systems (power distribution) that require voltage within the range of: **10V±30V DC**. It contains two power inputs: a screw connector and a DC 5,5/2,1 outlet and eight power outputs AUX1÷AUX8 which are independently secured with PTC 1A polymer fuse. An activation of the PTC fuse is indicated by an appropriate LED going out: L1 for AUX1, L2 for AUX2 etc. Additionally, each output is secured by a varistor which protects the PSU and the receivers against surges in the power circuit.

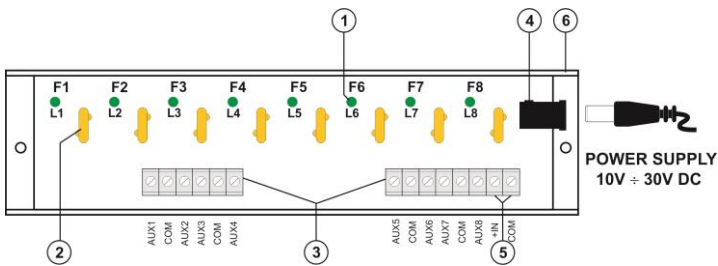


Fig.1. Drawing of the module.

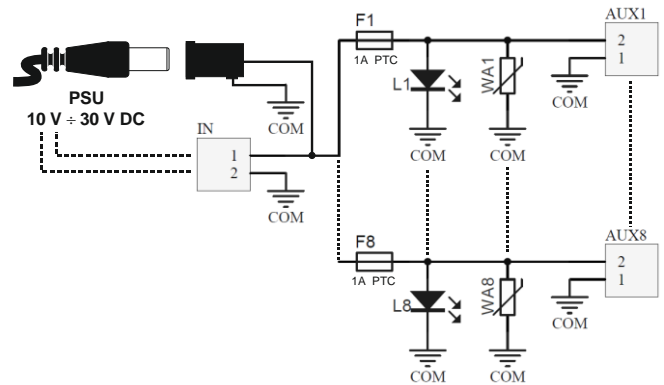


Fig.2. Electrical diagram.

Table 1. Description of components and connectors of the PSU.

Element no. [fig. 1]	Description
[1]	L1 ÷ L8 green LEDs
[2]	F1 ÷ F8 fuses in the AUX (+) circuits
[3]	AUX1 ÷ AUX8 independently secured outputs, common terminal COM (-)
[4]	DC 5,5/2,1 outlet – module's power input
[5]	Screw connector – module's power input
[6]	Mounting strip

* Using power supply unit with too low current efficiency may cause (in the case of a short-circuit at one of the outputs of the module) temporary power loss at other outputs.

Table 2. Specifications.

Supply voltage	10V± 30V DC
Output voltage	$U_{AUX} = U_{IN}$ (equal to supply voltage)
Current consumption	9 mA÷ 60 mA @ $U_{IN} = 10V \div 30V DC$
Number of power inputs	2: a DC 5,5/2,1 outlet or a screw connector
Number of power outputs	8 (AUX terminals)
Protections against:	<ul style="list-style-type: none"> - a short circuit SCP * - an overload OLP - a surge
	<ul style="list-style-type: none"> - 8 x 1A PTC - 8 x 1A PTC - varistors
LED indication	Green LEDs L1 ÷ L8 – outputs status AUX1÷AUX8
F1 ÷ F8 fuses	8 x 1A PTC
Operating conditions	II environmental class, -10°C ÷50°C
Dimensions	L=124, W=43, H=21 (+/-2mm)
Fixing	a mounting tape or dowel pins x2 (holesØ3mm)
Connectors:	
- of power output	- screw connectors $\Phi 0,41 \div 1,63$ (AWG 26-14)
- of power input	- a DC 5,5/2,1 outlet or a screw connector $\Phi 0,41 \div 1,63$ (AWG 26-14)
Net/gross weight	0,05kg / 0,08kg
Declarations, warranty	CE, 2 year from the production date

WEEE MARKING

According to the EU WEE Directive – It is required not to dispose of electric or electronic waste as unsorted municipal waste and to collect such WEEE separately.

Pulsar

Siedlec 150, 32-744 Łapczyca, Polska
Tel. (+48) 14-610-19-40, Fax. (+48) 14-610-19-50
e-mail: biuro@pulsar.pl, sales@pulsar.pl
[http:// www.pulsar.pl](http://www.pulsar.pl), www.zasilacze.pl